

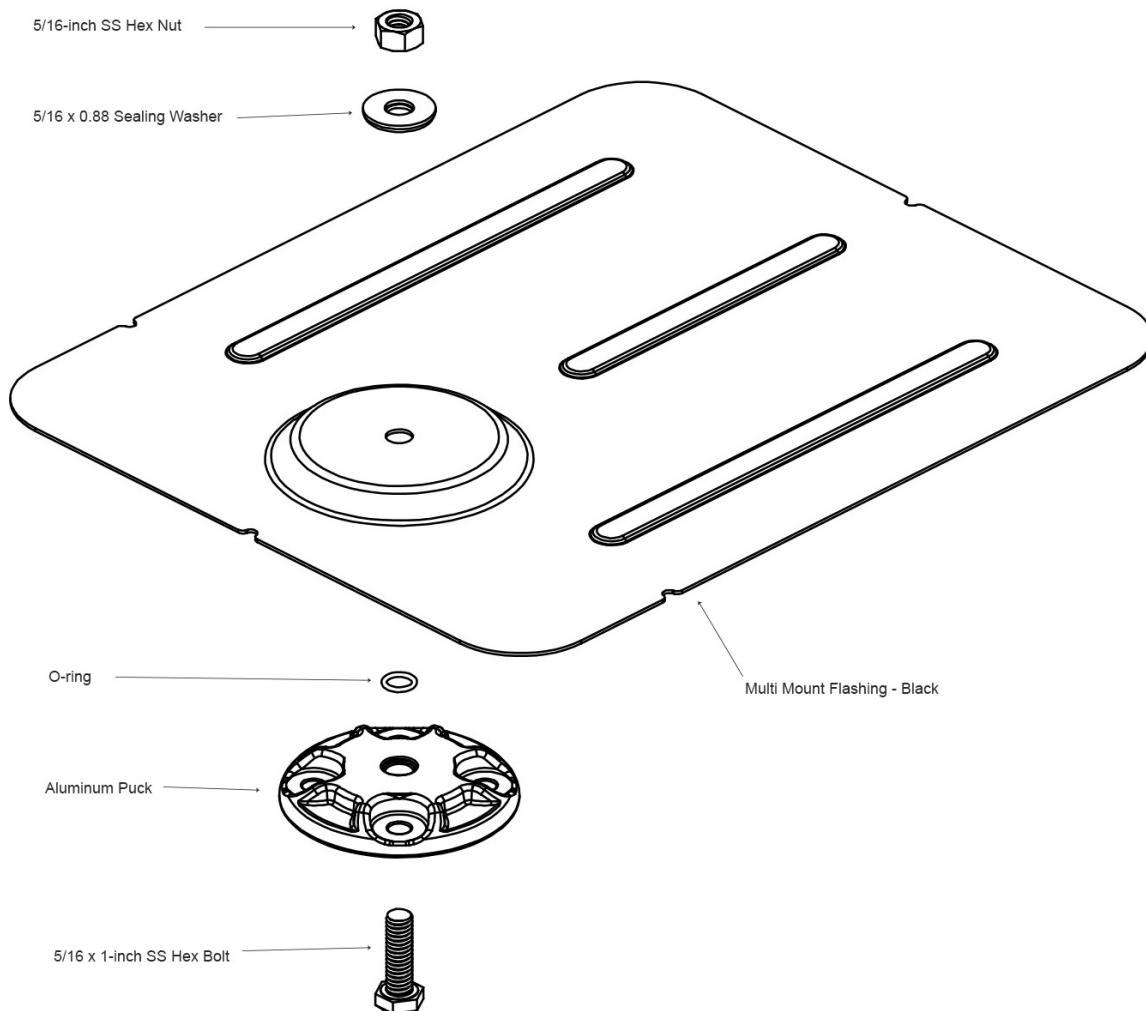
Multi-Mount Instructions for Deck Mount (#90255 - Pack of 8)

Attach to Roof Deck or Composite Truss

- Use 1/4-IN lag bolts or structural screws to attach to a plywood or OSB sheathed roof.
- Use 2 screws to attach to a truss member or 4 screws to attach directly to roof sheathing.
- Fasteners are not supplied with the Multi-Mount Deck Mount. The project engineer shall specify the fastener that best fits the project requirements.



L-Foot mount is sold separately



Installation Instructions

Locate the mounting point on the roof approximately 3 inches below the edge of the shingle row above the mounting point. Use a roof bar to separate the shingles immediately above the mounting point.

Slide the flashing under the row of shingle nails. This will allow you to put the flashing in the optimal location. Slide the puck under the flashing so it fits into the raised area of the flashing. Remove the flashing and mark the puck location.

Preload the aluminum puck with the 5/16 x 1-IN hex bolt supplied in the package, using the O-ring to hold the bolt in place.

Apply sealant to the bottom of the puck. Use a sealant that is approved by the manufacturer of the roofing material.

Place the puck on the roof on the previously marked location. It is common to use four 1/4-IN lag screws or structural screws for a deck mount. Do not over-tighten screws. Torque should not exceed 50 inch-pounds. To attach to a truss member it is common to use two screws.

Install the flashing over the puck and under the row of shingles above.

Secure the L-foot to the flashing with a sealing washer and 5/16-IN nut. Torque the nut to 12 foot-pounds.

