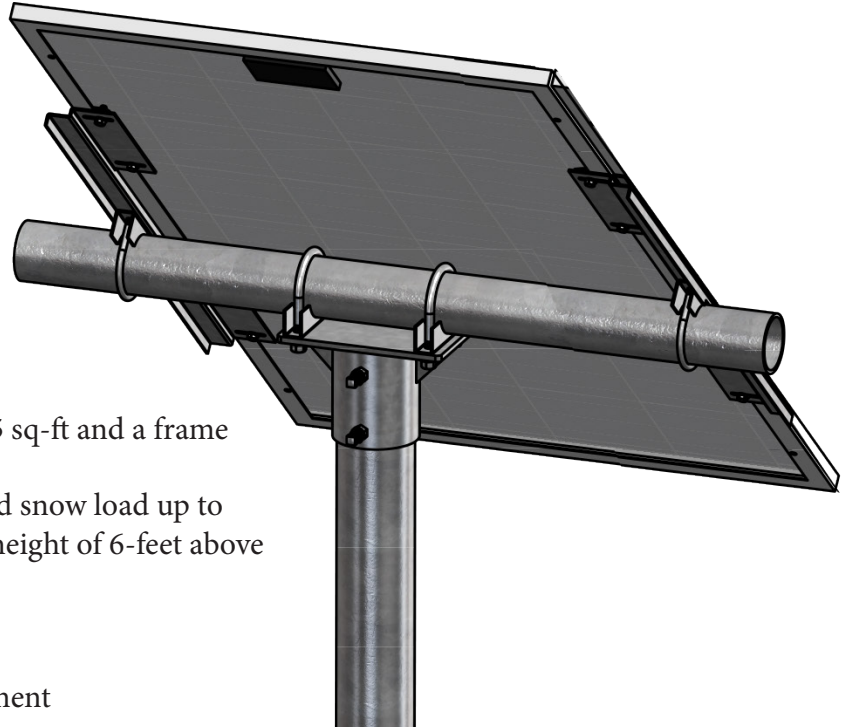




# UNI-PGRM/1P1 ONE MODULE POLE MOUNT

VERTICAL AND HORIZONTAL SCHEDULE-40 PIPE IS NOT INCLUDED. PURCHASE LOCALLY.



- Mount one solar module with an area of 25 sq-ft and a frame thickness between 1.18 and 2 inches\*
- Suitable for wind speed up to 150 MPH and snow load up to 100 PSF snow load with a maximum post height of 6-feet above ground
- Tilt angle adjustable from 10° to 60°
- Ships by UPS - 2 Boxes - 28-lbs
- Simple one-person installation and adjustment

\* Larger modules can be mounted with reduced wind and snow load.

User supplies: Vertical pole - 4-inch schedule 40 steel pipe (4.5-inch OD)

Horizontal Beam - 3-inch schedule 40 steel pipe (3.5-inch OD)

See table below to determine depth of embedment of the vertical post. Add embedment to height above ground for vertical post length

3-inch horizontal beam must be a minimum of 4-inches wider than the solar module.

Pier Depth Required for 18-inch Diameter Hole (feet)						
Soil Class	Array Tilt					
	10°	20°	30°	40°	50°	60°
Class 3	4	5	6	6	7	7
Class 4	4	5	6	7	7	7
Class 5	5	6	7	8	8	9

Pier Depth Required for 24-inch Diameter Hole (feet)						
Soil Class	Array Tilt					
	10°	20°	30°	40°	50°	60°
Class 3	4	5	6	6	6	6
Class 4	5	6	6	6	7	7
Class 5	5	6	7	7	7	8



SCAN ME

Scan the QR Code above to download manuals and engineering certifications from the Tamarack Solar website.