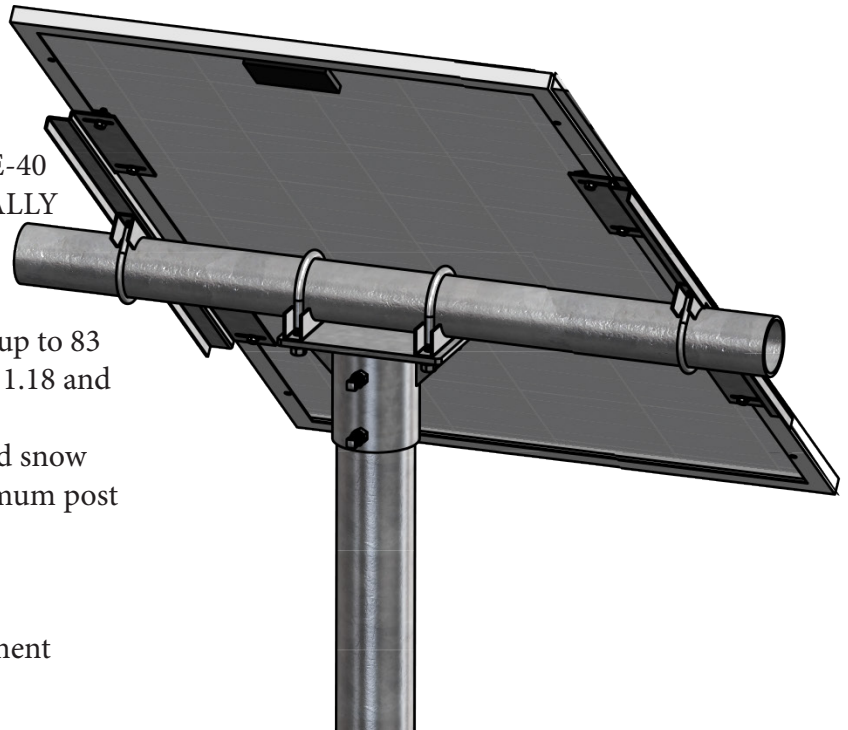




UNI-PGRM/1P1 ONE MODULE POLE MOUNT

VERTICAL AND HORIZONTAL SCHEDULE-40
PIPE IS NOT INCLUDED. PURCHASE LOCALLY



- Mount one solar module with dimensions up to 83 x 43 inches and a frame thickness between 1.18 and 2 inches
- Suitable for wind speed up to 150 MPH and snow load up to 100 PSF snow load with a maximum post height of 6-feet above ground
- Tilt angle can be adjusted from 0° to 60°
- Ships by UPS - 2 Boxes - 28-lbs
- Simple one-person installation and adjustment

User supplies: Vertical pole - 4-inch schedule 40 steel pipe (4.5-inch OD)

Horizontal Beam - 3-inch schedule 40 steel pipe (3.5-inch OD)

See table below to determined depth of imbedment of the vertical post. Add imbedment to height above ground for vertical post length

3-inch horizontal beam must be a minimum of 4-inches wider than the solar module.

| Pier Depth Required for 18-inch Diameter Hole (feet) | | | | | | |
|--|------------|-----|-----|-----|-----|-----|
| Soil Class | Array Tilt | | | | | |
| | 10° | 20° | 30° | 40° | 50° | 60° |
| Class 3 | 4 | 5 | 6 | 6 | 7 | 7 |
| Class 4 | 4 | 5 | 6 | 7 | 7 | 7 |
| Class 5 | 5 | 6 | 7 | 8 | 8 | 9 |

| Pier Depth Required for 24-inch Diameter Hole (feet) | | | | | | |
|--|------------|-----|-----|-----|-----|-----|
| Soil Class | Array Tilt | | | | | |
| | 10° | 20° | 30° | 40° | 50° | 60° |
| Class 3 | 4 | 5 | 6 | 6 | 6 | 6 |
| Class 4 | 5 | 6 | 6 | 6 | 7 | 7 |
| Class 5 | 5 | 6 | 7 | 7 | 7 | 8 |